

Extreme embedded controller

EXT-ANYD-361

The 'extreme' embedded controller is a fan less micro PC featuring a 1GHz processor onboard dual LAN and RS232 / RS485 communications.

The controller is compatible with the BACnet, OPC and Media software packages offered from INTEGRATED.CH



Features and functions

Onboard processing power

The embedded controller features either a 667MHz or a 1GHz processor with up to 512mb system memory.

Communications Ports

The embedded controller supports RS232, RS485, Dual Ethernet, USB.

Display

The integrated Savage4 graphics accelerator features 32mb display memory.

Keyboard and Mouse connectivity

Included in the controller is a split cable for the connection of a mouse and a keyboard.

Operating System

The embedded controller is supplied with an installed version of WinXP. Windows 2000 is also available as an alternative option.

Fully Featured

Apart from a 2.5-inch HDD, two COM, two USB ports, a PS/2 connector, the extreme controller also features Audio, VGA and Dual 10/100 Base-Tx Ethernet controllers as standard.

Fan less and special thermal design

The embedded controller utilises a fanless, low power VIA Eden ESP6000 / Eden ESP10K processor. Despite its compact size, the controller can operate up to an ambient temperature of 40°C without a fan by deploying an innovative thermal design. A heat sink is mounted on the CPU dissipates heat, while two additional heat sink blocks draw heat from the main chipsets to a large cooling radiator on top of the housing. A gap between the radiator and the outside cover further enhances optimal heat dissipation.

Power Supply

The controller is supplied complete with an external power supply unit.

Housing Colours

The heat sink housing is available in blue, gold or silver. Default delivery is blue

More information

Simply visit our web site www.integrated.ch for access to our demo version software; datasheet, engineering guidelines and configuration file plus links to other relevant software drivers.

Product Ordering codes

Extreme Embedded Controller

EXT-ANYD-361

PC - RS232 communications cable

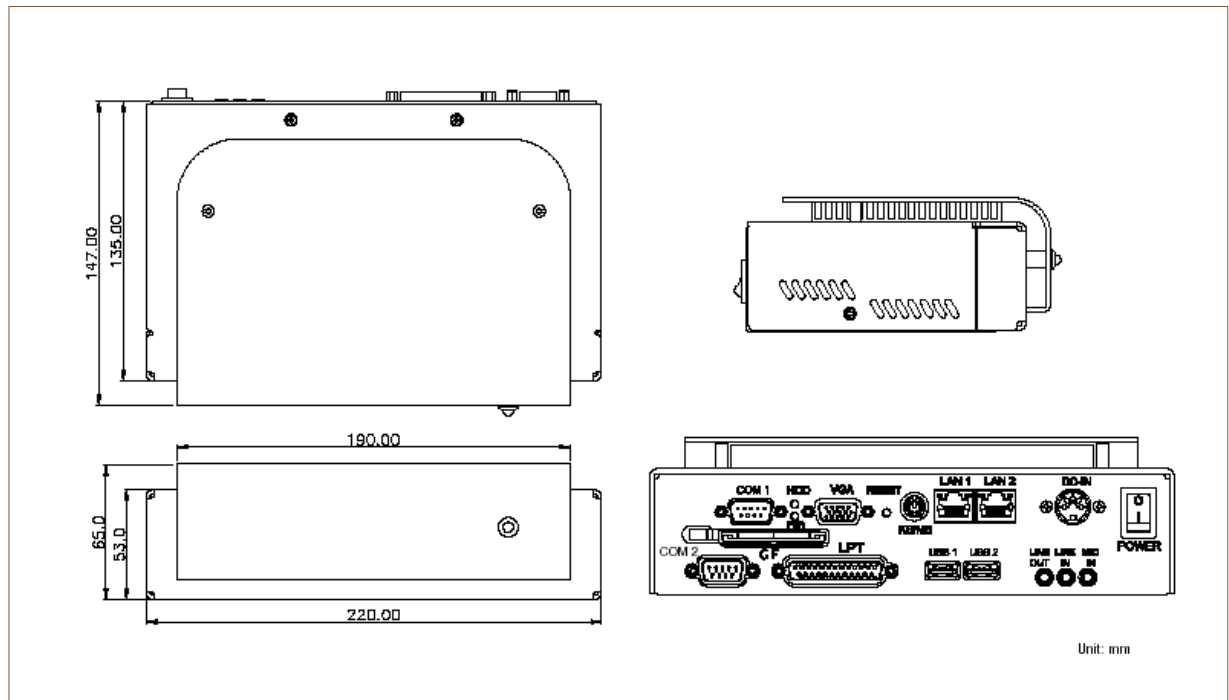
iPC-ANDY-CAB

Windows 2000 Operating System Option

EXT-ANYD-W2K

Extreme embedded controller

EXT-ANYD-361



Product Specifications

SYSTEM

CPU	Onboard VIA Eden ESP6000 667 MHz, Onboard VIA Eden ESP10K 1 GHz
BIOS	Award 256 KB Flash BIOS
System Chipset	VIA TwisterT VT8606/VT82C686B
I/O Chip	VIA VT82C686B
System Memory	One 144-pin SODIMM socket supports up to 512 MB SDRAM
SSD	One CompactFlash Type I/II socket with ejector
Watchdog Timer	Reset/IRQx; 2~255 sec. and 1 sec./step
Display	VIA TwisterT VT8606 integrated S3 Savage4 2D/3D graphics accelerator with 32 MB display memory
Audio	AC97 Audio
Ethernet	Dual Realtek RTL8139C or optional Intel® 82559/ 82559ER 10/100Base-Tx Fast Ethernet controllers
System Indicators	One LED indicator shows power status
HDD	40 or 80Gb 2.5" HDD

External I/O

COM Port	1 x RS-232, 1 x RS-232/422/485
LAN Port	2 x RJ-45
VGA/LCD Port	1 x DB-15
Audio Port	Mic-in, Line-in, Line-out
USB Port	2 x USB 1.1 ports
Parallel Port	1 x DB-25
Mouse & KB	1 x PS/2 mini DIN

Power Supply Unit

Power Input	90 ~ 264 Vac / 47 ~ 63 Hz
Power Output	+5 V / 8 A

Mechanical & Environmental

Operating Temp.	0 to 45°C (32~113°F)
Storage Temp.	-20 to +75°C (-4~167°F)
Relative Humidity	5 to 90% @ 40°C (104°F), relative humidity, noncondensing
Dimensions	8.7" x 2.6" x 5.8" (220 mm x 65 mm x 147 mm) (W x H x D)
Weight	3.74 lbs (1.7 Kgs)
Mounting	Desktop

Product notes

The extreme embedded controller specification is subject to change without notification.